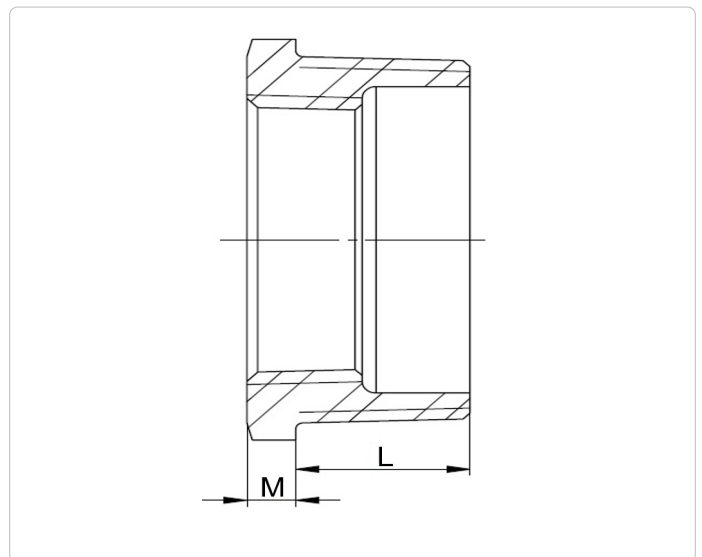


Bushings

ISO4144 | EF241 | CF8M (1.4408, V4A) | ISO7-1 (R/Rp)



Article No.	DVGW Approved	Standard		Dimension (mm)	
		Size		L	M
421180002		1/4	1/8	10.5	4
421180003		3/8	1/8	11	5
421180004			1/4	11	5
421180005D	✓	1/2	1/4	14.5	5
421180006D	✓		3/8	14.5	5
421180007D	✓	3/4	3/8	15.5	5.5
421180008D	✓		1/2	15.5	5.5
421180009D	✓	1	1/2	18	6
421180010D	✓		3/4	18	6
421180011D	✓	1-1/4	3/4	20.5	6.5
421180012D	✓		1	20.5	6.5
421180013D	✓	1-1/2	1	20.5	6.5
421180014D	✓		1-1/4	20.5	6.5
421180015D	✓	2	1-1/4	25	7
421180016D	✓		1-1/2	25	7
421180017		2-1/2	1-1/2	27	7
421180018			2	27	7
421180019		3	2	30	7.5
421180020			2-1/2	30	7.5
421180021		4	2-1/2	36	8
421180022			3	36	8



- ISO4144 standard cast fittings, CF8M (1.4408) cast version of 316 (1.4401)
- Thread acc. to ISO 7-1, DIN EN 10226-1 (old DIN 2999 & BS21); parallel female thread Rp (BSPT) & taper male thread R (BSPT).

• Pressure ratings:

Temperature C°	Non-shock max. working pressure bar
-20 to 40	20
100	16.5
150	15
200	14
220	13.5

*Temperatures indicated are those of internal fluid
Piping loads, stresses and moments are not taken into account.